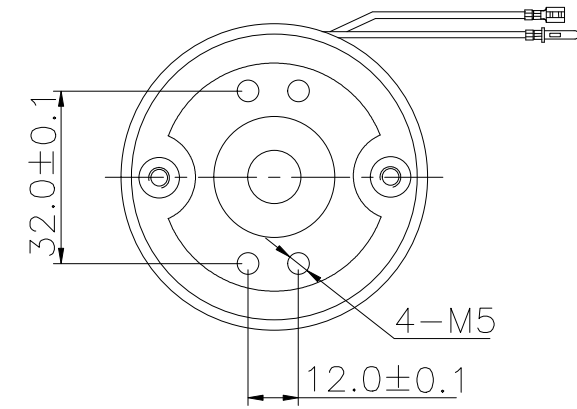
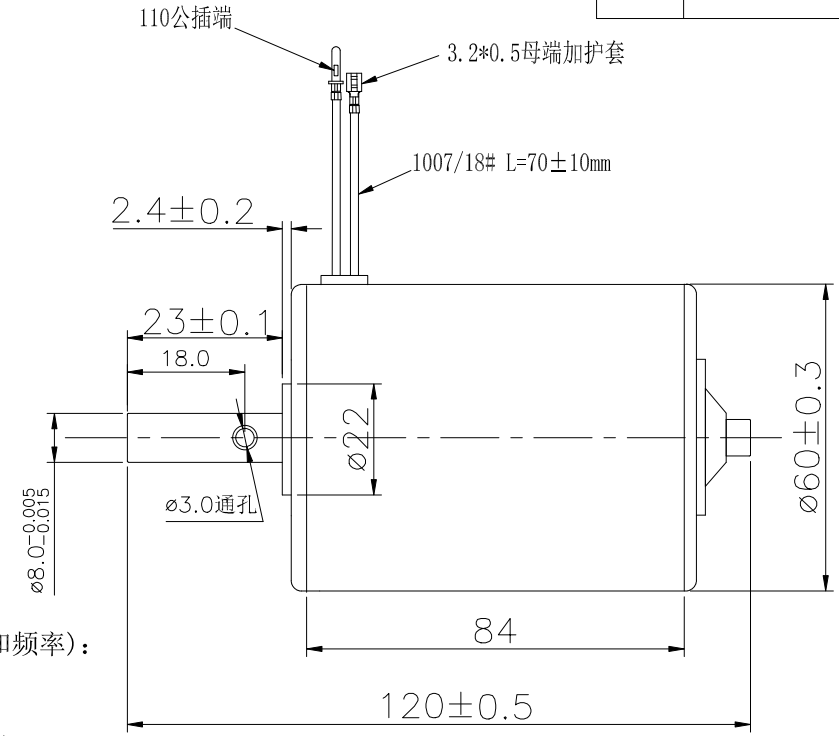
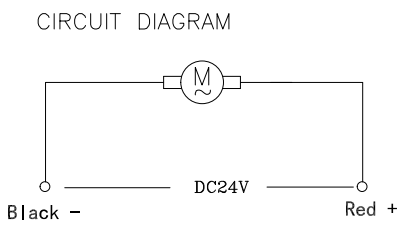


Rohs Compliance

REV	DESCRIPTION	DATE	BY



- Notes:
- Voltage with Frequency (电压和频率): DC24V
  - Rotation (转向): CCW
  - No-load Performance (空载性能)  
No-load Speed (空载转速): 2600±10%  
No-load Current (空载电流): 0.6A (MAX)  
No-load Power (空载功率): 15W (MAX)
  - On load Performance (负载性能)  
On load Speed (负载转速):  
On load Current (负载电流):  
On load Power (负载功率):
  - Torque (扭矩):
  - Choke (电感):
  - Capacitance (电容):
  - Fuse or Thermostat (保险丝或者温控):
  - Temperture Rise (温升):
  - Insulation Grade (绝缘等级): F
  - Withstand Voltage (耐压): 500V/5Ma/1S
  - Life (寿命):
  - Noise (噪音): <65Db (Distance motor 30CM)



GENERAL TOLERANCES ISO 2768-m							
Permissible deviations for linear dimensions							
Permissible deviations for basic size range							
	>0.5 ...3	>3 ...6	>6 ...30	>30 ...120	>120 ...400	>400 ...1000	>1000 ...2000 ...4000
m	±0.1	±0.1	±0.2	±0.3	±0.5	±0.8	±1.2

Permissible deviations for angular dimensions		Permissible deviations for broken edges (external radii chamfer heights)	
	>0.5 ...3	>3 ...6	>6 ...30
m	±1°	±0.30°	±0.20°

Permissible deviations for ranges of lengths in millimeters of the shorter side of the angle concerned		Permissible deviations for basic size range	
	>10 ...50	>50 ...120 ...400	>120 ...400
m	±1°	±0.5°	±0.5°

<b>DWN. BY</b> EDEARL	<b>CHK. BY</b>	<b>APP. BY</b>
<b>Date</b> (yyyymmdd) 2015-10-16	<b>Date</b> (yyyymmdd)	<b>Date</b> (yyyymmdd)
<b>MATERIAL:</b>		
<b>FINISH:</b>		
<b>General Tolerance ISO 2768-1 Class m (Unless specified)</b>		<b>TITLE</b>
<b>ALL DIMENSIONS ARE IN MILLIMETRES</b>		<b>OD-4037D024</b>
SHENZHEN ODIN IMPORT AND EXPORT CO., LTD		<b>DWG NO.</b>
		<b>SHEET 1 OF 1</b>

A